



SIMPLY STAINLESS

Modular Bar Solutions



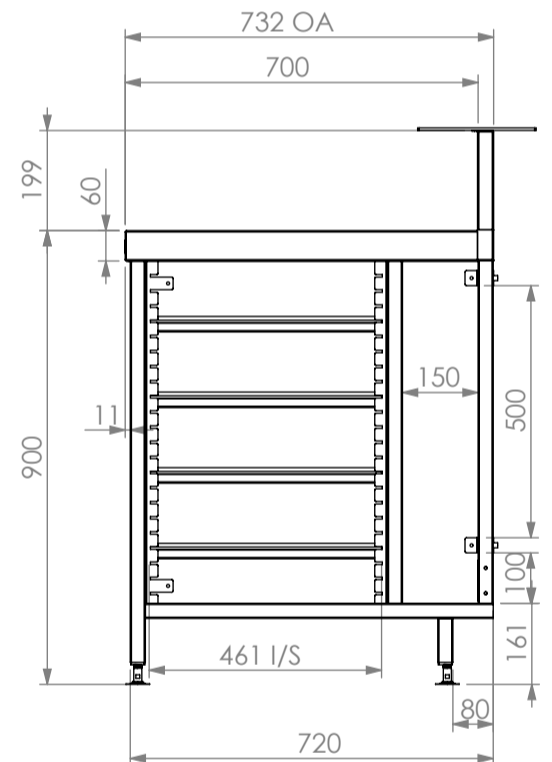
SBM-BR-6-0650



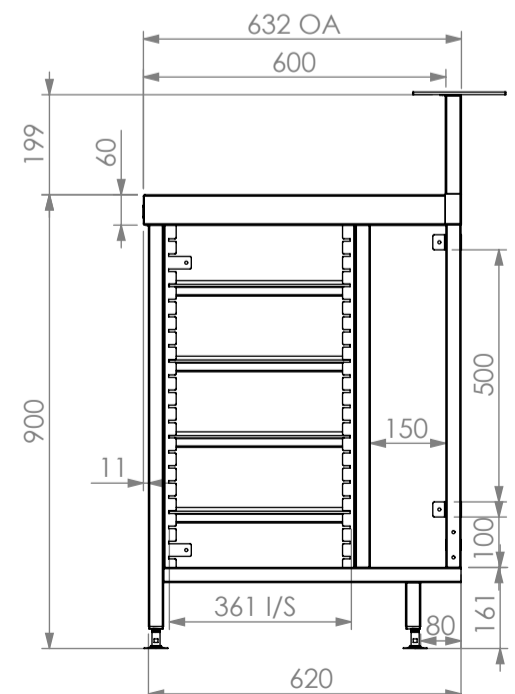
SBM-BR-7-0650

SPECIFICATION

Tops	- High quality 304 grade stainless steel. - 1.2mm gauge, no. 4 Finish.
Core	- 3mm zincalume. - Marine grade protective paint .
Frames	- 30mm square stainless steel tube. - Satin polished, adjustable stainless disc feet.
Servery	- 5mm stainless steel flatbar. - Welded to frame. - 2 fixing holes.
	- Adjustable Runners to suit Glass Racks or DW Racks. - Stainless steel drip tray included.



NOTE:
1. 700mm DEEP MODULE ELEVATION.



NOTE:
1. 600mm DEEP MODULE ELEVATION.

BASKET RACK BAR MODULE

SBM-BM	Product Code	Dimensions (mm)
	SBM-BR-6-0650	650x600x900
	SBM-BR-7-0650	650x700x900